



# FULL HEIGHT TURNSTILE (120°)

A combination of high level electronics as well as mechanical security through its range of Gate Security Systems that physically prevents Unauthorized Entrants from entering the premises.

Also can be integrated with an Access Control System from those manufactured by PE that can provide physical Access Control. An optional Integration of a Time and Attendance Recorder from the available range can serve the Dual purpose of Access Control as well as an employee Attendance System.



## TECHNICAL SPECIFICATIONS

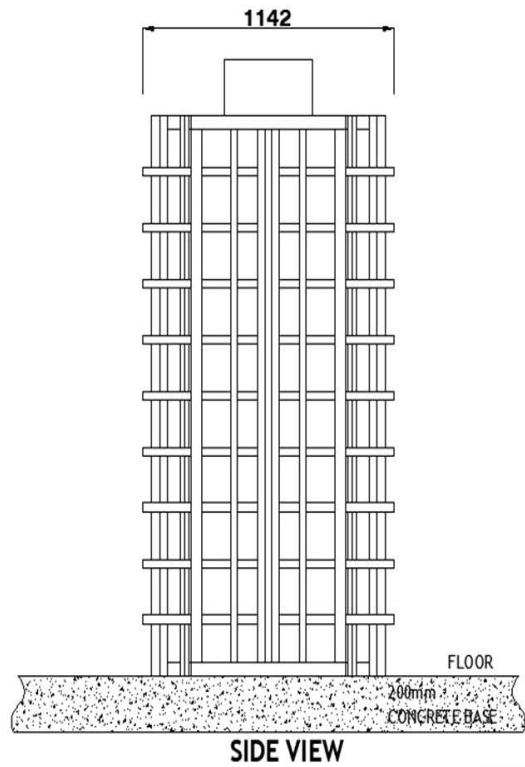
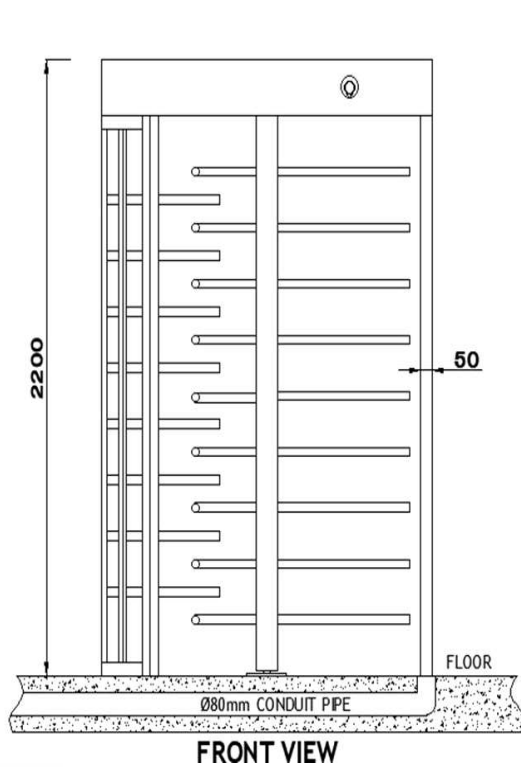
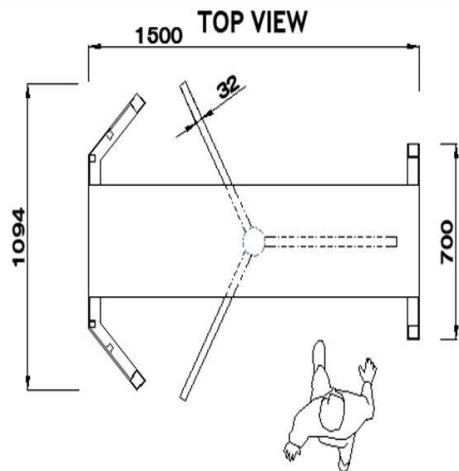
Supply Voltage	230VAC $\pm$ 10%
Power Consumption	5-20 Watt
Drive Technology	120° Electro-Mechanical Drive or Motor Drive*
Communication Protocol*	USB or RS485 or RS232
Integration*	4 Inputs, 4 PFC outputs & Optional RS485
Access Time Out	0 - 15 sec (Adjustable)
Duty Cycle	Intensive use
Cabinet Material	Available in Stainless Steel Grade 304/316* Or Mild Steel
Arm material	Stainless Steel Grade 304
Cabinet Dimension	L 1140mm * W 1500mm * H 2200mm $\pm$ 5%
Passage Width	650mm
Lane Indicator	Built-in (Green or Red)
Throughput	20-25 persons/minute
M.C.B.F.	10 million cycles
Operating Temperature	-10 to 55° C
Installation	By anchor bolts on plain surface
Included Accessories	Mains Cable, Foundation Bolts etc.
Optional Accessories	Digital IN-OUT Counter, Wireless Remote, S.S. Railings, Canopy etc.



**PRINT ELECTRONICS EQUIPMENTS**

Print Electronics House, Plot No 7, Sector 23, Opp CNG Pump, Turbhe, Navi Mumbai 400705, India  
www.printelectronics.com Contact (Mobile) : +91 9820191652 E- Mail - vikram@printelectronics.com

## GENERAL ARRANGEMENT DRAWING



**PRINT ELECTRONICS EQUIPMENTS**

Print Electronics House, Plot No 7, Sector 23, Opp CNG Pump, Turbhe, Navi Mumbai 400705, India  
www.printelectronics.com Contact (Mobile) : +91 9820191652 E- Mail - vikram@printelectronics.com